

# Ultimeter 800 and 2000

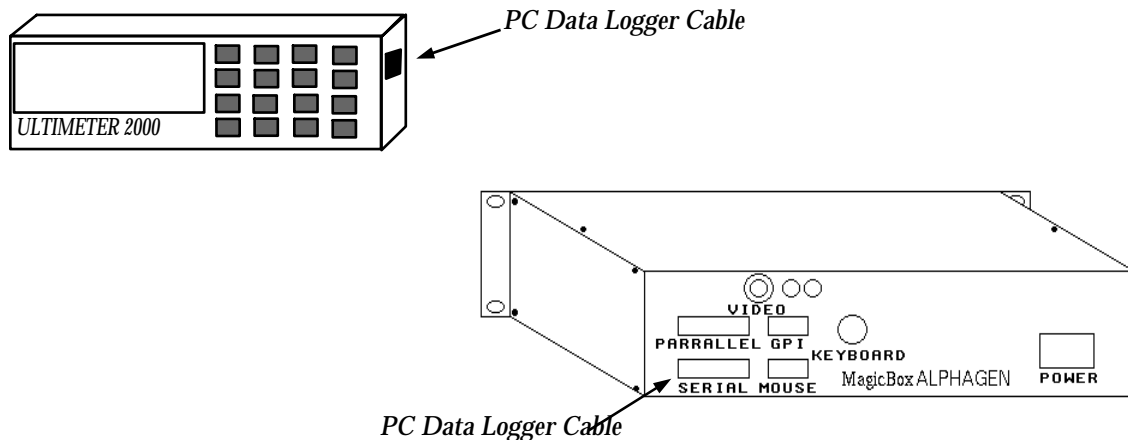
## Connecting to the Alphagen system *Read This First*

Thank you for purchasing the Alphagen Weather system.

First follow the instructions for installing the Ultimeter weather station inside the blue handbook. You will want to locate the weather system keyboard display within 6 feet of the Alphagen for the final connection below.

Complete the connections to the Ultimeter junction box and keyboard. Power up the Ultimeter system. Verify proper operation of the Temperature, Wind and Rain functions on the Ultimeter's keyboard.

Final connection is made by installing the PC Data Logger cable phone-type connector (included) from the Ultimeter Data Logger port to the Alphagen Serial port. See diagram below.



Power up the Alphagen system.

Set Serial Port Mode (Shift F-10) to Weather

Program a region (see manual chapter 4 on the F8 key) to display weather.

Within a few seconds, expect to see weather statistics.

Be sure that the DB-25 connector to the Alphagen is fully inserted. Some customers have had difficulty with the connector being a tight fit. If you have connected everything and still experience no weather display in the regions, check this connection. Tighten the screws on the cable to the serial port.

If you need further assistance, call us at the number below.